

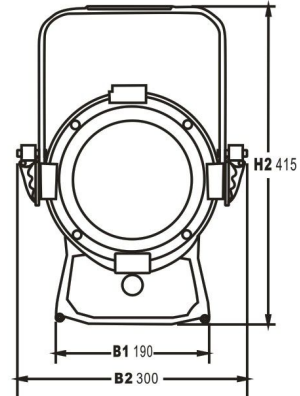


LED 300W CAR SHOW LIGHT

(OPERATE INSTRUCTION)

• Package and accessories •

1. LED 300W car show light 1 unit
2. Barndoor 1 set
3. Power plug 1 pair
4. Lens 1pieces
5. DMX plug 1 unit

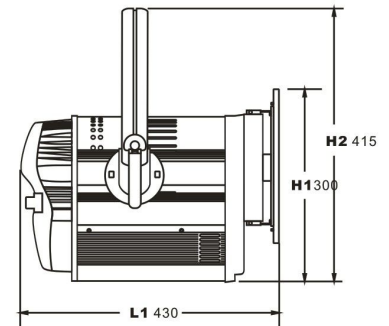


• Functions •

- ◆ Input voltage 100-240V 50-60HZ
- ◆ Power consumption 350W
- ◆ Manual button dimming or DMX dimming
- ◆ Beam angle 17°
- ◆ 16 Byte smoothly dimming.
- ◆ G.W.: 10.5kg N.W.: 8.5kg

• Keys instruction •

- ◆ These 4 keys “Enter” “Menu” “Down” “Up” .
- ◆ Button at the back can adjust brightness,DMX signal....
- ◆ “Enter”-- To save setting. “Menu” -- To choose function.
- ◆ “Down” “Up”-- To adjust function settings.



• DMX Channel •

- ◆ 1 DMX Channel (0-255 Dimming)

*Special remind: Daisy Chained-- Maximum 10 units when using 220v Input Voltage .
Maximum 6 units when using 110v input Voltage.*

• Screen display and its function •

序号	显示屏	功能说明
1		Display DMX signal address connected.Can adjust signal address by button “Down” and “Up”.And press “Enter” to save your setting.
2		Display DMX signal address not connect.Can adjust signal address by button “Down” and “Up”.And press “Enter” to save your setting.
3		Dimming Mode:Can Adjust brightness by “Down” and “Up”.And press “Enter” to save your setting.

Master/Slave Mode •

Daisy Chained all fixtures--Set to one fixture.



mode--Set all fixtures address to “001”--Then can Master all fixtures by any